

## DS-2CD1131-I 3.0 MP CMOS Network Dome Camera



2.8 mm Fixed Focal Lens



Non 2.8 mm Fixed Focal Lens



### Key Features

- 1/3" progressive scan CMOS
- Up to 3.0 megapixel
- 2.8mm/4mm/6mm fixed focal lens
- Up to 30 m IR range
- Dual stream
- Digital WDR (Wide Dynamic Range)
- 3D DNR (Digital Noise Reduction)
- PoE (Power over Ethernet)
- IP67, Ik10
- Mobile monitoring via Hik-Connect or iVMS-4500



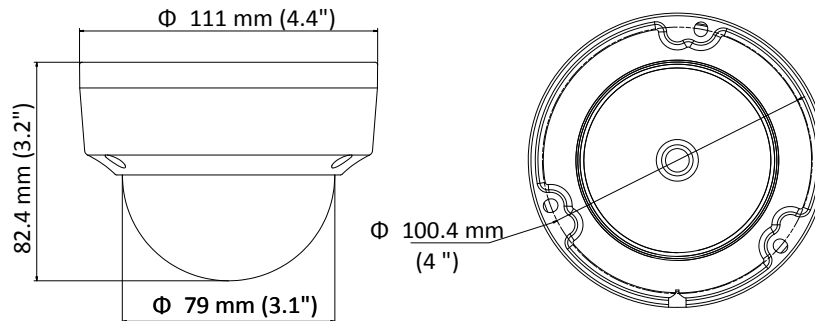
## Specification

<b>Camera</b>	
Image Sensor	1/3" progressive scan CMOS
Min. Illumination	Color: 0.01Lux @(F1.2,AGC ON),0 Lux with IR
Shutter Speed	1/3s to 1/100,000 s, support slow shutter
Lens	2.8 mm @F2.0, horizontal field of view 105°, 4 mm @F2.0, horizontal field of view 84° 6 mm @F2.2, horizontal field of view 55°
Lens Mount	M12
Day & Night	IR cut filter with auto switch
2-Axis Adjustment	Pan: 0° to 355°, tilt: 0° to 70°
DNR(Digital Noise Reduction)	3D DNR
WDR(Wide Dynamic Range)	Digital WDR
<b>Compression Standard</b>	
Video Compression	Main stream: H.264+/H.264 Sub stream: H.264/MJPEG
H.264 Type	Main profile/High profile
Video Bit Rate	32 Kbps to 16 Mbps
<b>Image</b>	
Max. Resolution	2304 × 1296
Main Stream Max. Frame Rate	50Hz: 20fps@(2304 × 1296), 25fps@(1920 × 1080, 1280 × 720) 60Hz: 20fps@(2304 × 1296), 30fps@(1920 × 1080, 1280 × 720)
Sub-stream Max. Frame Rate	50Hz: 25fps @(640 × 360, 352 × 288) 60Hz: 30fps @(640 × 360, 352 × 240)
Image Settings	Brightness, saturation, contrast, sharpness are adjustable via web browser or client software
Day/Night Switch	Support auto, scheduled
Others	Mirror, BLC (area configurable), region of Interest (support 1 fixed region)
<b>Network</b>	
Network Storage	NAS (NFS,SMB/CIFS)
Detections	Motion detection
Alarms	Video tampering, network disconnected, IP address conflicted
Protocols	TCP/IP,ICMP,HTTP,HTTPS,FTP,DHCP,DNS,DDNS,RTP,RTSP,RTCP, NTP,UPnP,SMTP,SNMP,IGMP,802.1X,QoS,IPv6,Bonjour
Standard	ONVIF(PROFILE S,PROFILE G),PSIA,CGI,ISAPI
General Function	One-key reset, anti-flicker, heartbeat, mirror, password protection, privacy mask, watermark, IP address filter
<b>Interface</b>	
Communication Interface	1 RJ45 10M/100M self-adaptive Ethernet port
Reset	Support
<b>General</b>	
Operating Conditions	-30 °C to 60 °C (-22 °F to 140 °F), humidity: 95% or less (non-condensing)
Power Supply	12 V DC ± 25%, PoE (802.3af)
Power Consumption	Max. 5.5 W
Protection Level	IP67, IK10
IR Range	Up to 30 m
Dimensions	Φ111 mm × 82 mm (4.4" × 3.2")
Weight	500 g (1.1 lb.)

## Available Models

DS-2CD1131-I

## Dimension



## Accessory



**DS-1259ZJ**  
Inclined Base Mounting Bracket



**DS-1275ZJ**  
Vertical Pole Mounting Bracket



**DS-1272ZJ-110**  
Wall Mounting Bracket



**DS-1272ZJ-110B**  
Wall Mounting Bracket



**DS-1271ZJ-110**  
Pendant Mounting Bracket



**DS-1276ZJ**  
Corner Mounting Bracket



**DS-1280ZJ-DM18**  
Junction Box



**DS-1250ZJ**  
Rain Shade

Distributed by



# HIKVISION®

### Headquarters

No.555 Qianmo Road, Binjiang District,  
Hangzhou 310051, China  
T +86-571-8807-5998  
overseasbusiness@hikvision.com

**Hikvision USA**  
T +1-909-895-0400  
sales.usa@hikvision.com

**Hikvision Italy**  
T +39-0438-6902  
info.it@hikvision.com

**Hikvision Singapore**  
T +65-6684-4718  
sg@hikvision.com

**Hikvision Africa**  
T +27 (10) 0351172  
sale.africa@hikvision.com

**Hikvision Europe**  
T +31-23-55-42-770  
info.eu@hikvision.com

**Hikvision France**  
T +33(0)1-85-330-450  
info.fr@hikvision.com

**Hikvision Oceania**  
T +61-2-8599-4233  
salesau@hikvision.com

**Hikvision Hong Kong**  
T +852-2151-1761

**Hikvision Middle East**  
T +971-4-8816086  
salesme@hikvision.com

**Hikvision Spain**  
T +34-91-737-16-55  
info.es@hikvision.com

**Hikvision Canada**  
T +1-909-895-0400  
sales.usa@hikvision.com

**Hikvision Russia**  
T +7-495-669-67-99  
saleru@hikvision.com

**Hikvision Poland**  
T +48-22-460-01-50  
poland@hikvision.com

**Hikvision Korea**  
T +82-31-731-8841  
sales.korea@hikvision.com

**Hikvision India**  
T +91-22-28469900  
sales@pramahikvision.com

**Hikvision UK**  
T +01628-902140  
support.uk@hikvision.com

**Hikvision Brazil**  
T +55 11 3318-0050  
Latam.support@hikvision.com