

## SBTL8000 Series

**SBTL8000** Single lane speed gates

**SBTL8011** Single lane speed gates  
(w/ controller and RFID reader)

**SBTL8022** Single lane speed gates  
(w/ controller and fingerprint & RFID reader)

**SBTL8033** Single lane speed gates  
(w/ visible light facial recognition devices)

The ZKTeco SBTL8000 series single lane speed gates is an elegant high-performance entrance control system designed for high-traffic volume. Equipped with multi-entrance system for choice, and module design make the modification more flexible.

The SBTL8000 is a single lane speed gates series designed for smooth and silent operation and draws very little power. It is made of stainless steel which makes SBTL8000 highly durable.

SBTL8000 barriers are normally held in a locked position, thus denying access to the secured side. Upon SBTL8000's reader (RFID, fingerprint and facial) positively recognizing a user's valid access card, fingerprint and face, gates open automatically, thus allowing users passage to the secured side.

SBTL8000 provides both security and convenient space, all in a very durable and elegant compact design. Also SBTL8000 has low barrier wings and ADA lanes gate for optional.

### Features

#### Reliability

- SUS304 stainless steel case ensures long-lasting durability
- High quality electrical components Safety Features.
- Ergonomic design makes card, fingerprint and face, authentication fast & simple for users.

#### Built-in Reader Integration

- SBTL8000 series already integrated with customers' preference for either card, fingerprint or face, access control reader which greatly reduces installation time & expenses.
- SBTL8000 series and associated access control readers have passed the factory test before shipment.
- ZKTeco provides the plug & play device with the lowest price in the whole industry.

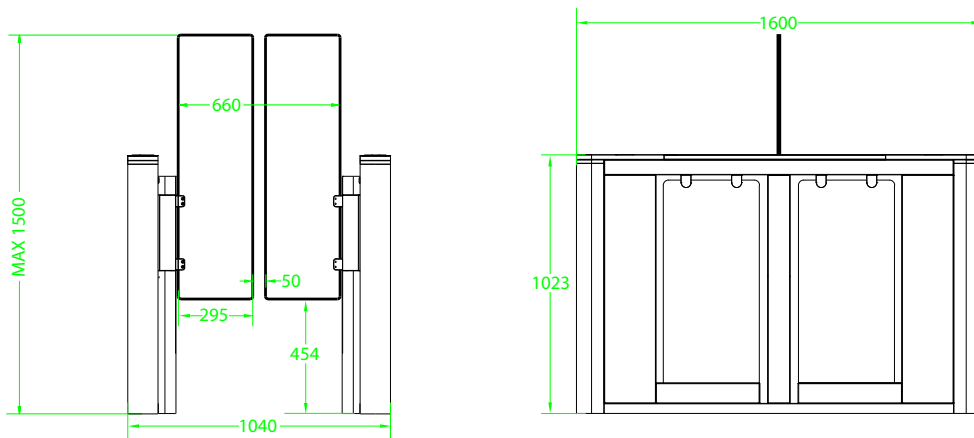
#### Simplification

- Simplify structure and connection, easy to maintain.
- Servo motor drives directly, running fast and stable.

# Specifications

Power requirements	AC 100 ~ 120V/200 ~ 240V, 50/60Hz
Working temperature	-28°C ~ 60°C
Working humidity	20%-95% (Non-condensing)
Working environment	Indoor
Speed of throughput	Maximum 30/ minute
Lane width(mm)	660
Footprint(mm*mm)	1600*1040
Dimensions(mm)	L=1600, W=1040, H=1500
Dimension with packing(mm)	L=1700, W=300, H=1130
Net weight(kg)	130kg
Weight with packing(kg)	150kg
Cabinet material	SUS304 Stainless Steel
Lid material	SUS304 Stainless Steel+Acrylic
Barrier material	Acrylic
Barrier movement	Swing
Emergency mode	Y
Security level	Medium

## Dimensions (mm)



## Optional functions

