

DS-2CC52D9T-IT3E

2 MP Ultra-Low Light PoC Turret Camera



Key Features

- 2 MP high performance COMS
- Ultra-Low Light Pro
- 1920 × 1080 resolution
- Auto focus, 2.8 mm to 12 mm motorized vari-focal lens
- 120 dB true WDR, 3D DNR
- EXIR 2.0, smart IR, up to 40 m IR distance
- Dual outputs: 1 HD analog output/1 CVBS output
- PoC.af, smart voltage detection
- IP67
- Up the Coax (HIKVISION-C)



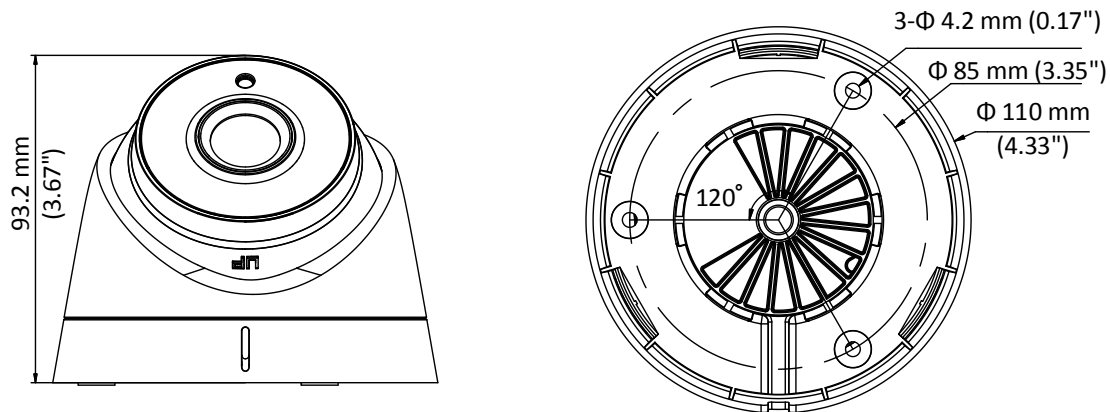
Specification

Camera	
Image Sensor	2.0 megapixel progressive scan CMOS
Signal System	PAL/NTSC
Effective Resolution	1920 (H) × 1080 (V)
Frame Rate	PAL: 1080p@25fps NTSC: 1080p@30fps
Min. Illumination	0.003 Lux@(F1.2, AGC ON), 0 Lux with IR
Shutter Time	PAL: 1/25 s to 1/50,000 s NTSC: 1/30 s to 1/50,000 s
Slow Shutter	Max.: 30 times
Lens	2.8 mm, 3.6 mm, 6 mm fixed focal lens
Horizontal Field of View	103.5° (2.8 mm), 82.6° (3.6 mm), 54.4° (6 mm)
Lens Mount	M12
Day/Night Mode	Auto/Color/B/W (White & Black)
Angle Adjustment	Pan: 0° to 360°, Tilt: 0° to 75°, Rotate: 0° to 360°
Synchronization	Internal synchronization
WDR	> 120 dB
Menu	
AGC	Support
Day/Night Mode	Auto/Color/BW (White & Black)
White Balance	ATW/AWC-SET/MANUAL
Privacy Mask	ON/OFF, 8 programmable privacy masks
Motion Detection	4 programmable motion areas
Backlight Compensation	WDR/BLC/HLC/OFF
2D & 3D DNR	ON/OFF
Voltage Detection	Support
Functions	Defog, Mirror, Defective Pixel Correction, Sharpness, Camera Title, LSC (Lens Shading Correction)
Scene	Indoor/outdoor/indoor1/low light
Interface	
Video Output	1 HD analog output/1 CVBS output (75Ω/BNC)
General	
Operating Conditions	-40° C to 60° C (-40° F to 140° F), humidity: 90% or less (no condensation)
Power Supply	12 VDC ±30%/PoC.af
Power Consumption	Max. 4 W
IR Distance	Up to 40 m
Ingress protection	IP67
Material	Metal & Plastic
Communication	Up the coax, Protocol: HIKVISION-C
Dimensions	Φ 110 mm × 93.2 mm (4.33" × 3.67")
Weight	Approx. 200 g (0.44 lb.)

Order Model

DS-2CC52D9T-IT3E

Dimensions



Distributed by



Headquarters

No.555 Qianmo Road, Binjiang District,
Hangzhou 310051, China
T +86-571-8807-5998
overseasbusiness@hikvision.com

Hikvision USA
T +1-909-895-0400
sales.usa@hikvision.com

Hikvision Italy
T +39-0438-6902
info.it@hikvision.com

Hikvision Singapore
T +65-6684-4718
sg@hikvision.com

Hikvision Europe
T +31-23-5542770
saleseuro@hikvision.com

Hikvision France
T +33(0)11-85-330-444
info.fr@hikvision.com

Hikvision Oceania
T +61-2-8599-4233
salesau@hikvision.com

Hikvision Middle East
T +971-4-8816086
salesme@hikvision.com

Hikvision Spain
T +34-91-737-16-55
info.es@hikvision.com

Hikvision Hong Kong
T +852-2151-1761

Hikvision Russia
T +7-495-669-67-99
saleru@hikvision.com

Hikvision Poland
T +48-22-460-01-50
poland@hikvision.com

Hikvision Canada
T +1-909-895-0400
sales.usa@hikvision.com

Hikvision India
T +91-22-28469900
sales@pramahikvision.com

Hikvision UK
T +44-1628-9021-4
support.uk@hikvision.com